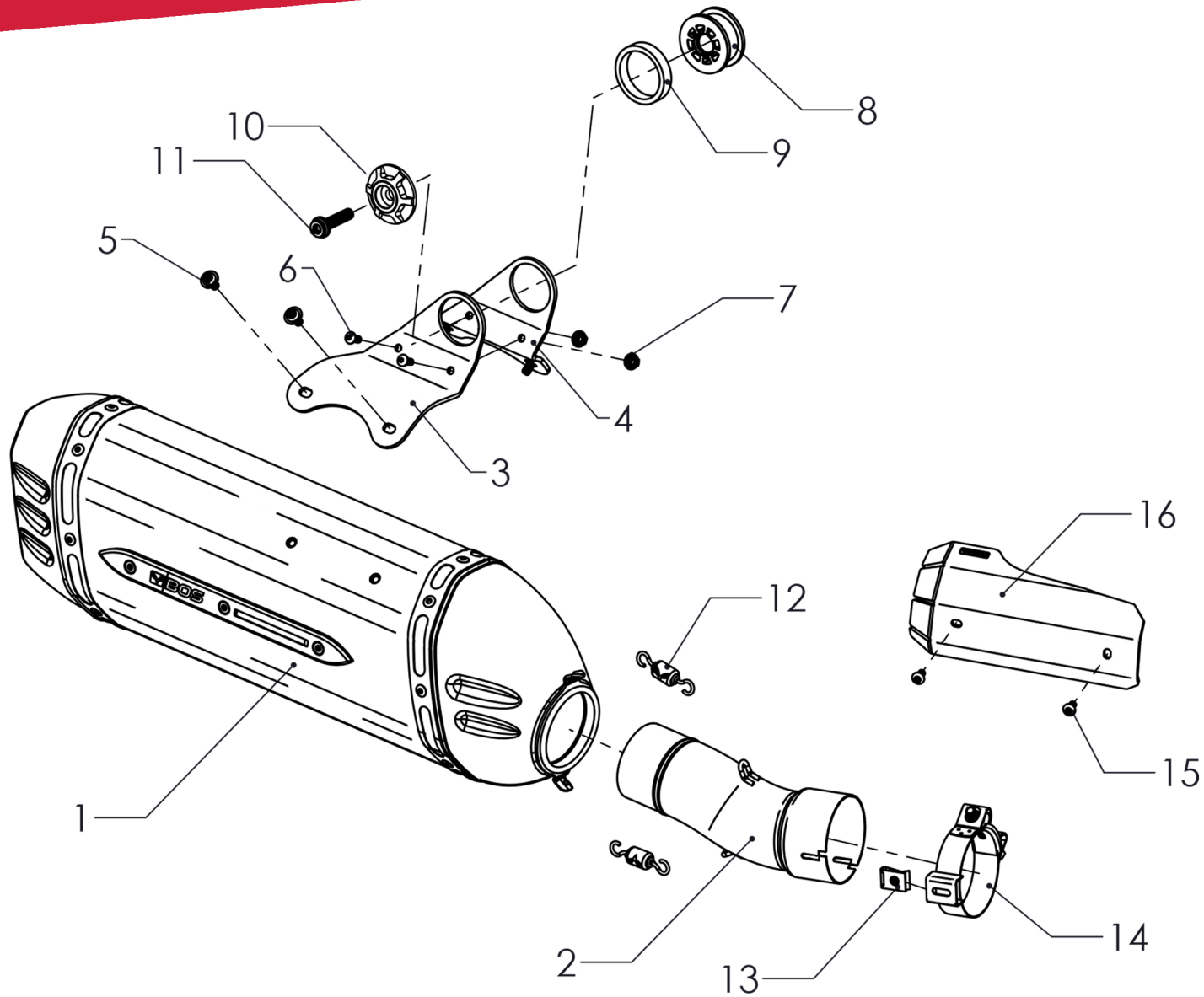


Pos	Qty	Part No.	Description	Ordernumber
1	1	900134	Muffler DesertFox HP	BM12R16 - DEHP - HP version
		850051	Mounting Parts:	Weight:
2	1	750039	Link Pipe Titanium	Stock: 5,0 kg Bos: 4,4 kg
3	1	700071	Mounting Bracket	Noiselevel: @ 3875 rpm
4	1	700070	Mounting Bracket	Stock: Specified 88,0 dB(A) Euro 4
5	4	14148	M6x12 Flange Screw Torx	Specified 90,0 dB(A) Euro 5
6	2	300005	M5x12 Bolt	Measured 88,0 dB(A)
7	2	300004	M5 Serrated Flanged Nut	Bos: Measured 90,0 dB(A)
8	1	Original	Rubber	Performance
9	1	64779	Spacer 9 mm.	Stock: 133,2 Hp / 7146 rpm
10	1	300051	Flange Blue HP	Bos: 133,9 Hp / 7288 rpm
11	1	Original	Bolt	Max. Hp incr.: + 2,9 Hp / 4440 rpm
12	2	300032	Pull Spring 25 mm.	Max Nm incr.: + 4,8 Nm / 2807 rpm
13	1	14111	Speednut M5	Tips
14	1	64780	Clamp 67 with nutcase	In order to avoid smudges and fingerprints
15	2	Original	Bolt	burning into the surface it is imperative to clean
16	1	600042	Heatshield	the exhaust before starting the engine, burnt in
17	1	100068	Sound Approval Card T1027	stains are very difficult to remove.
18	1	100065	Custom Sheet Link Pipe Titanium	After 300 miles or 500 kms. check all nuts and bolts and retighten if necessary.





- Euro 3 ○
- Euro 4 ●
- Euro 5 ●

7 Nm
5 lbf ft

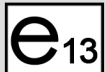
Nr.5

10 Nm
7 lbf ft

Nr.11

25 Nm
18 lbf ft

Nr.14



Approval Number
00106G TYPE 1027